



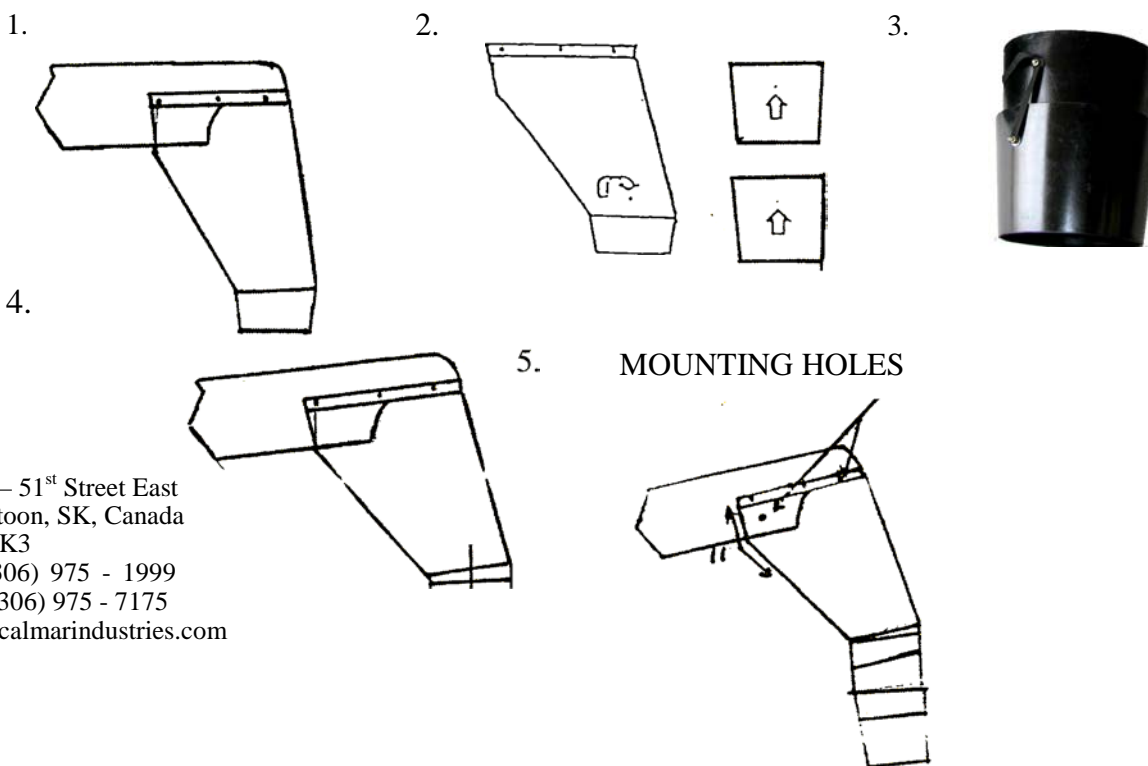
FLOW CONTROL KIT *by Calmar*

Spout Assembly Instructions

1. Remove factory spout and re-install the nuts and bolts which will now act as studs.
2. The factory spout maybe used as a template to mark the area to be removed from the back of the flow control or you may follow the lines marked for the various auger sizes. This area is cut out, as well as a small area in the front of the flow control, to adapt to the shape of the auger and make room for the auger bearing. The flow control is now ready to mount to the studs created in step #].
3. Measure the spacing for the required mounting holes, or simply hold the flow control in position, sight, and mark the holes to be drilled. After the holes are drilled, you may mount the flow control on the studs and secure with flat washers and nuts. (fig 1) it is recommended that the auger be fully extended when mounting the flow control to ensure it fits plumb.
4. To assemble extensions, drill $\frac{1}{4}$ " holes in the marks on the spout and extensions to be used. Install elevator bolts from the inside out of both the spout and extensions, then secure in place with a fender washer and flange nut (fig 2). Install straps and locknuts to the spout extensions and tighten securely (fig 3). Install spout extensions to spout and secure with nuts (fig 4)
5. All bottom swing combines will require additional trimming in the back of spout to obtain the required angle. Most models require approximately]]]]" (figure #5)

*THE DESIGN OF THE FLOW CONTROL IS INTENDED TO PROTECT THE UNLOADING SYSTEM MOMENTARILY SHOULD THE DISCHARGE BECOME BLOCKED AND IS NOT INTENDED TO OPERATE IN THE OVERFLOW MODE FOR EXTENDED PERIODS.

CALMAR INDUSTRIES LTD. IS NOT RESPONSIBLE FOR ANY DAMAGE TO THE COMBINE DUE TO OPERATOR ERROR OR NEGLIGENCE.



602B – 51st Street East
Saskatoon, SK, Canada
S7K 7K3
Ph: (306) 975 - 1999
Fax: (306) 975 - 7175
www.calmarindustries.com

LIMITED WARRANTY

Calmar Industries (Calmar) warrants to the original consumer purchase ("Purchaser") of equipment, manufactured by it, that the products are free from defects in material or workmanship.

If, within TWELVE (12) months from the date of purchase, any such product shall prove to be defective, it shall be repaired or replaced at Calmar's option, subject to the terms and conditions set forth below.

GENERAL TERMS AND CONDITIONS

Purchaser must pay all labour and shipping charges necessary to replace a product covered by this warranty. This warranty shall not apply to any product that has been subject to negligence, misapplication, improper installation or maintenance, or other circumstances beyond Calmar's control.

Requests for service under this warranty shall be made by contacting the installing Calmar dealer as soon as possible after the discovery of any alleged defect. Calmar will subsequently take corrective action as promptly as reasonably possible. No requests for service under this warranty will be accepted if received more than 30 days after the term of the warranty.

This warranty sets forth Calmar's sole obligation and purchaser's exclusive remedy for defective products.

CALMAR SHALL NOT BE LIABLE FOR ANY CONSEQUENTIAL INCIDENTAL OR CONTINGENT DAMAGES WHATSOEVER.

THE FOREGOING WARRANTIES ARE EXCLUSIVE AND IN LIEU OF ALL OTHER WARRANTIES, EXPRESSED OR IMPLIED, INCLUDING BUT NOT LIMITED TO THE IMPLIED WARRANTIES OF MERCHANTABILITY AND FITNESS FOR A PARTICULAR PURPOSE, SHALL NOT EXTEND BEYOND THE DURATION OF THE APPLICABLE WARRANTIES PROVIDED HEREIN.

For more information write or call:



CALMAR INDUSTRIES LTD. 602B 51st Street
East Saskatoon, SK
S7K 7K3

PH: (306) 975-1999 FAX: (306) 975-7175